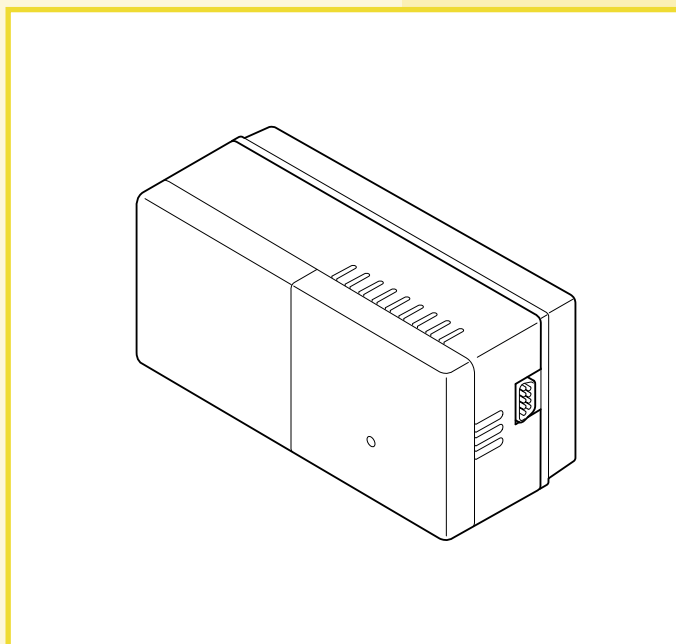


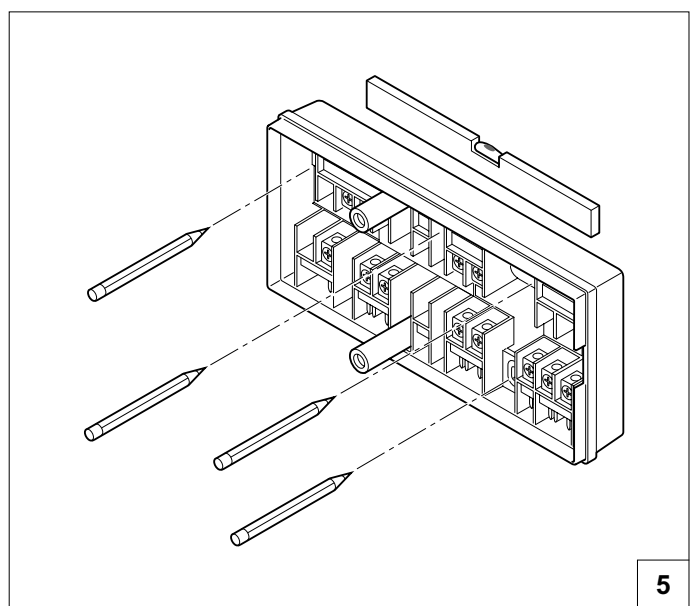
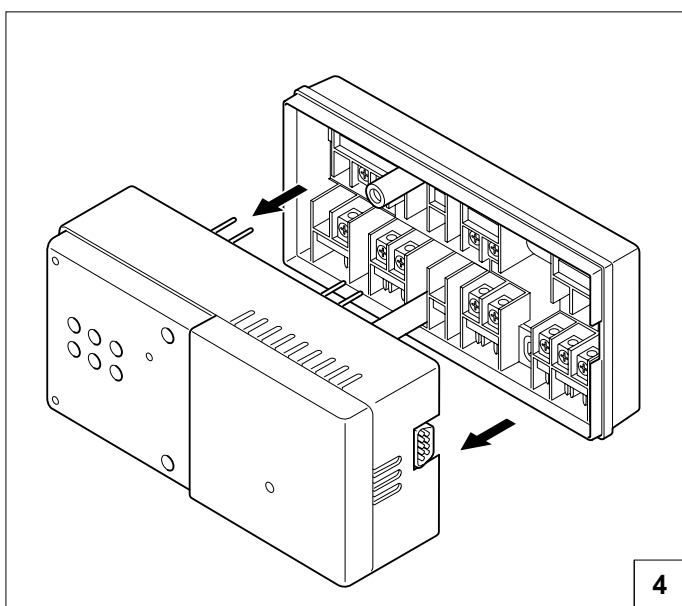
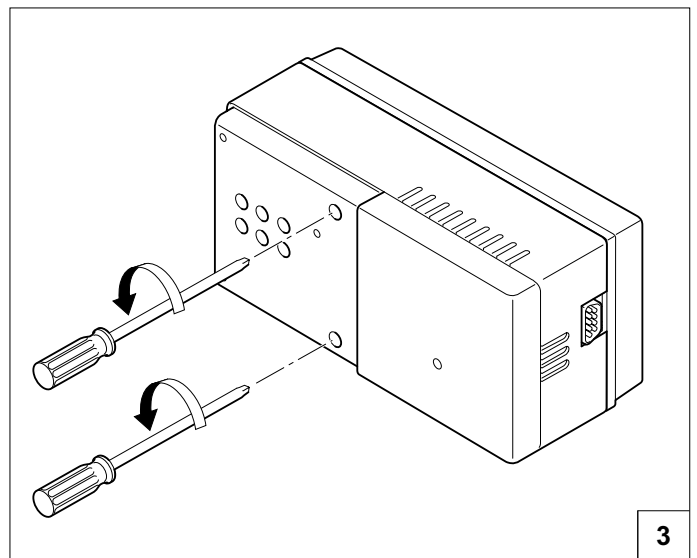
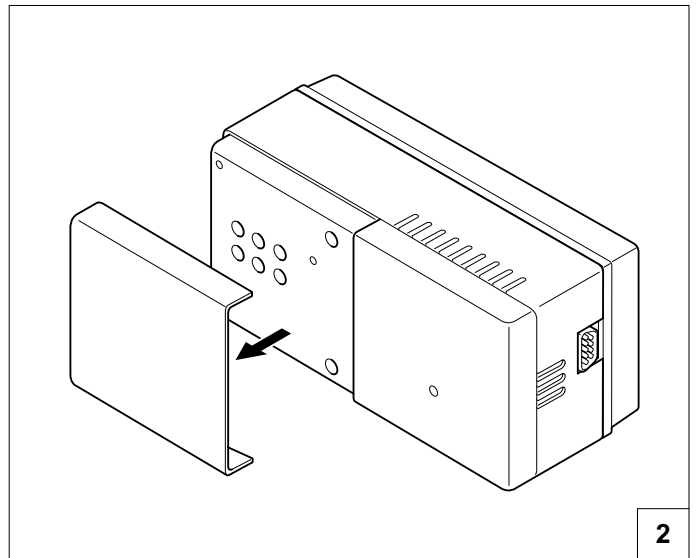
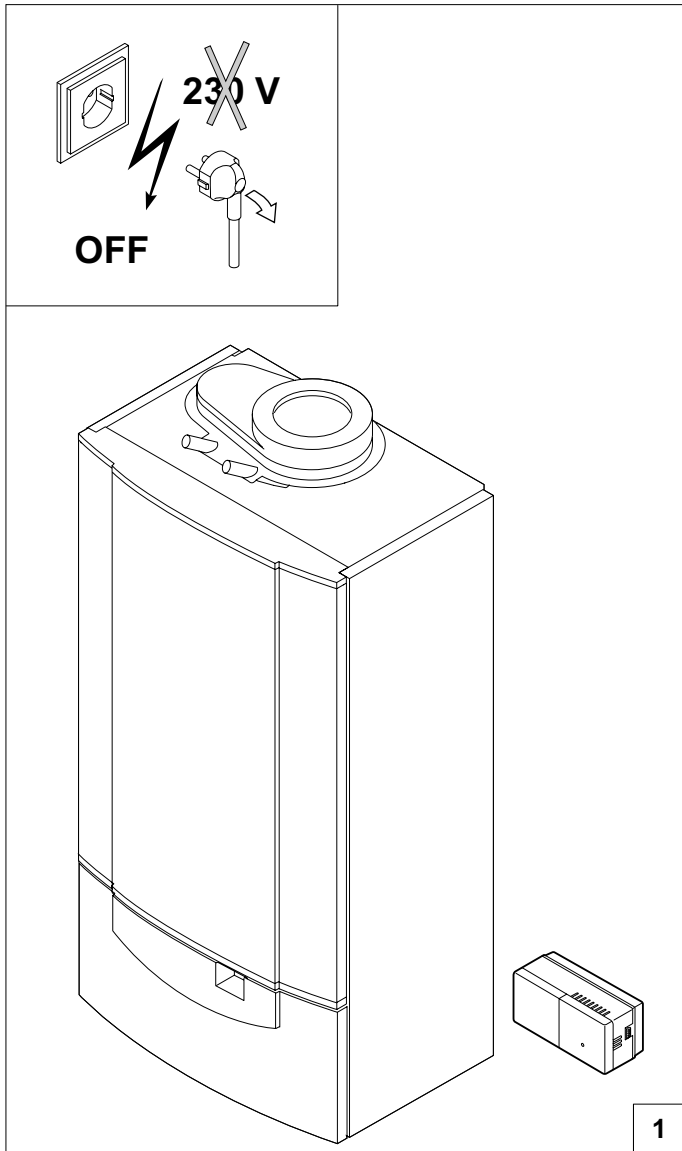
Assembly instruction / Userguide

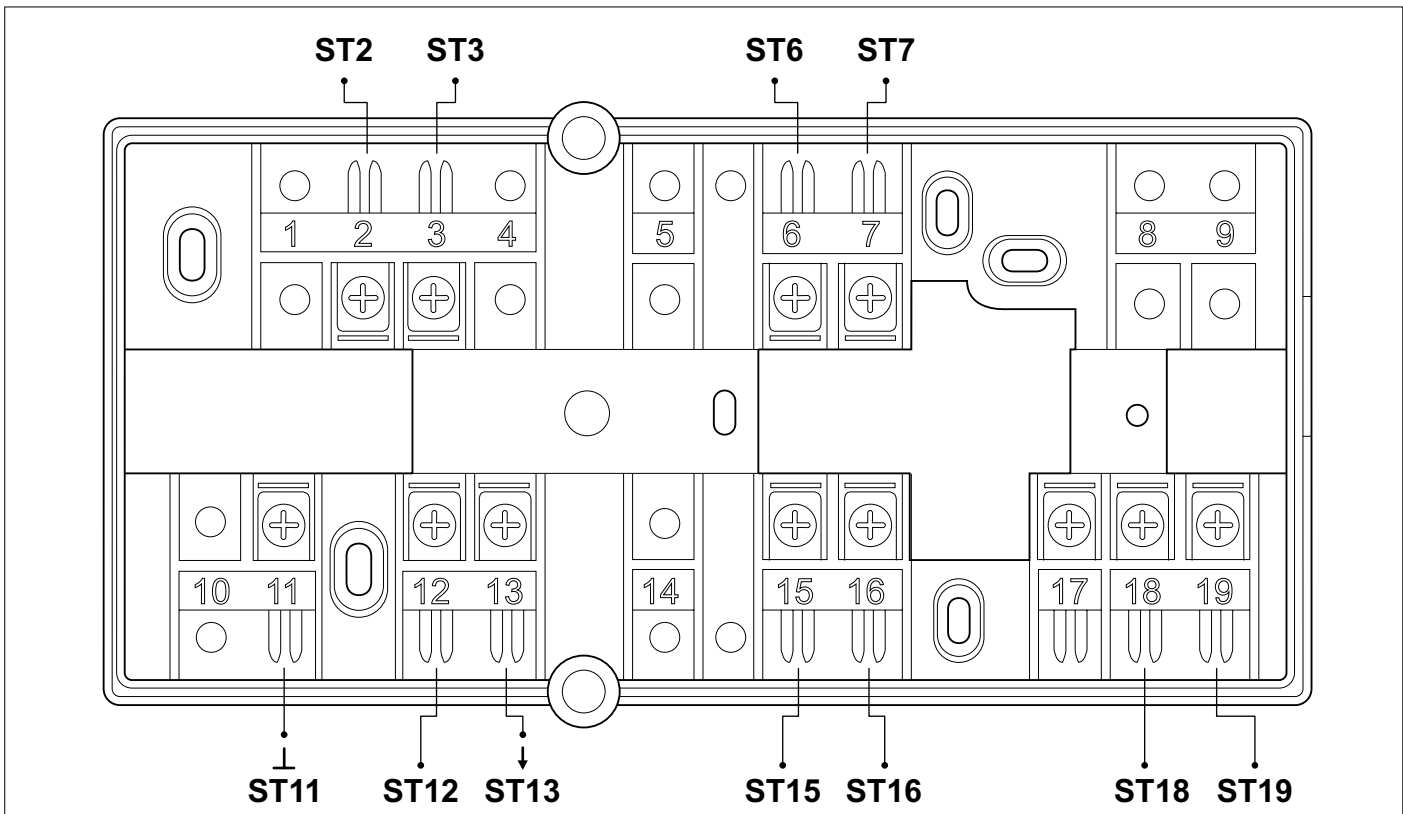
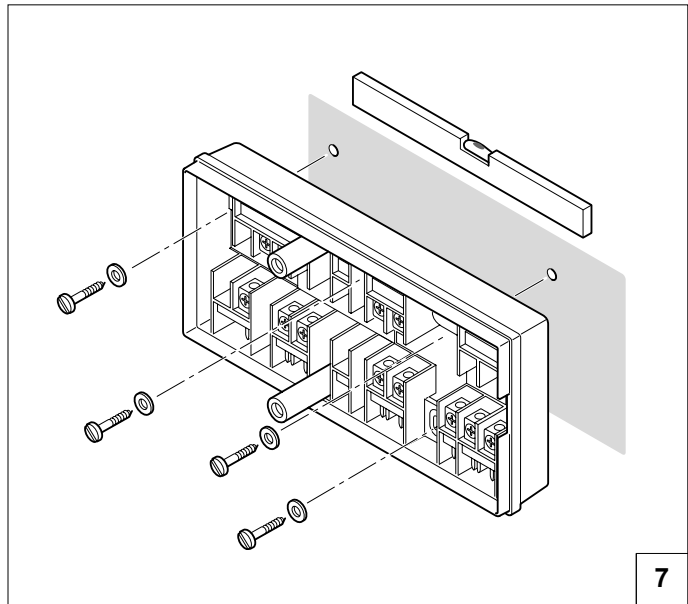
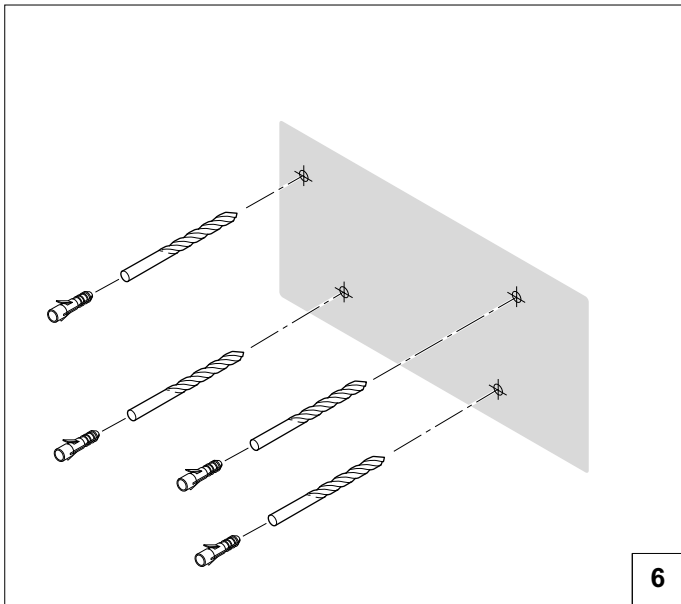
## Remeha Celcia 20 gateway



 **remeha**

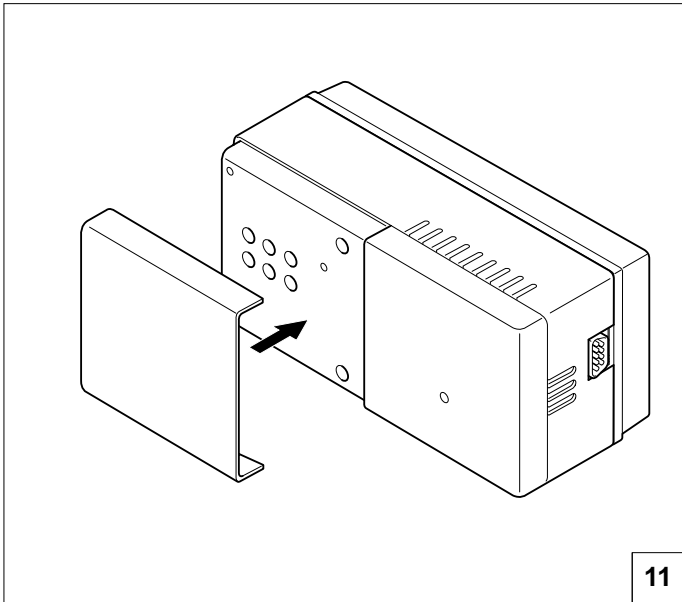
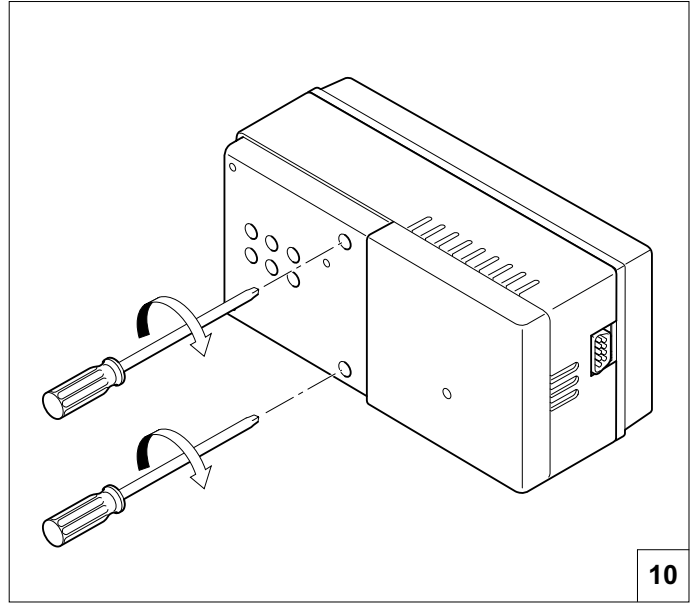
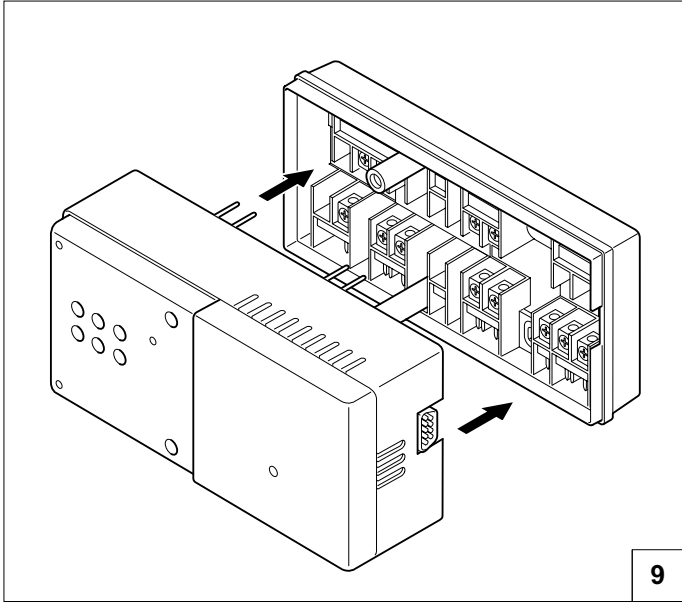
# 1. Assembly instruction Celcia 20 gateway



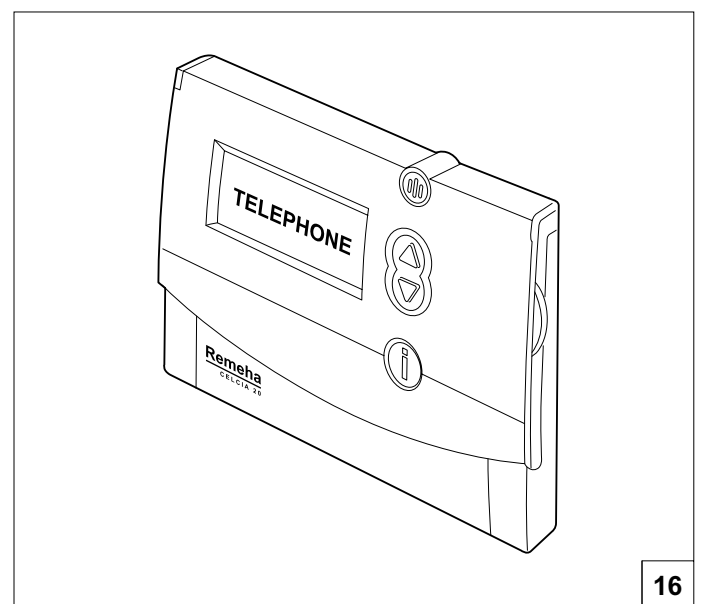
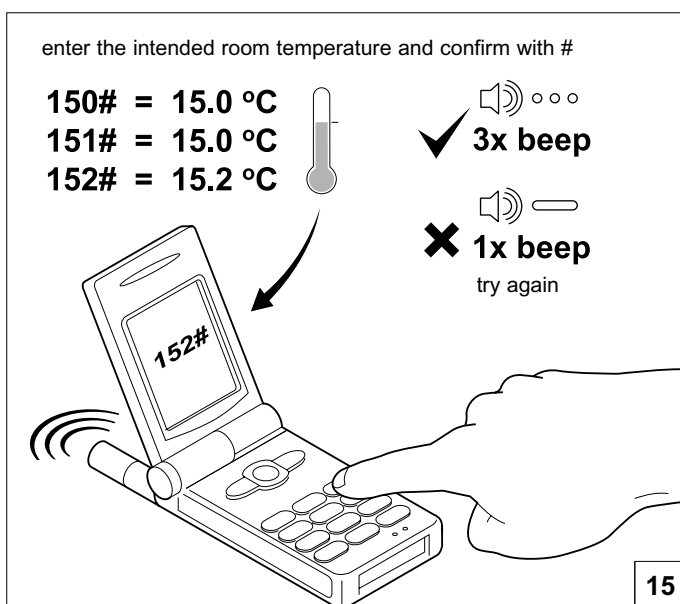
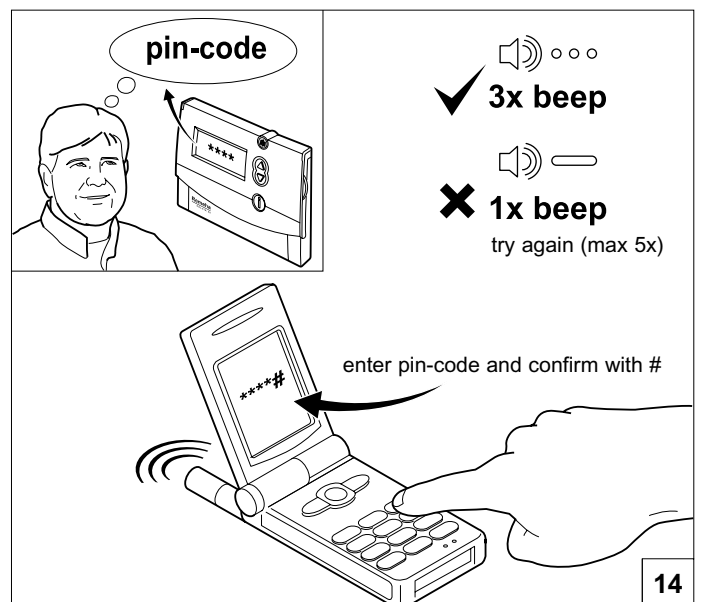
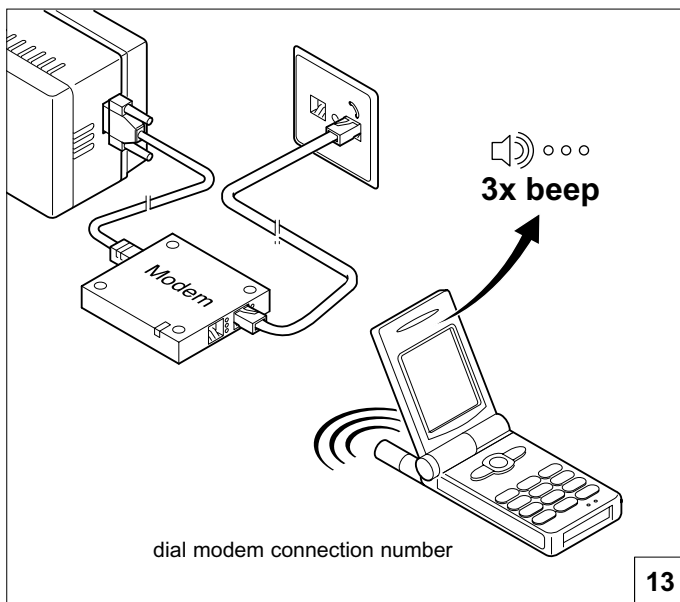
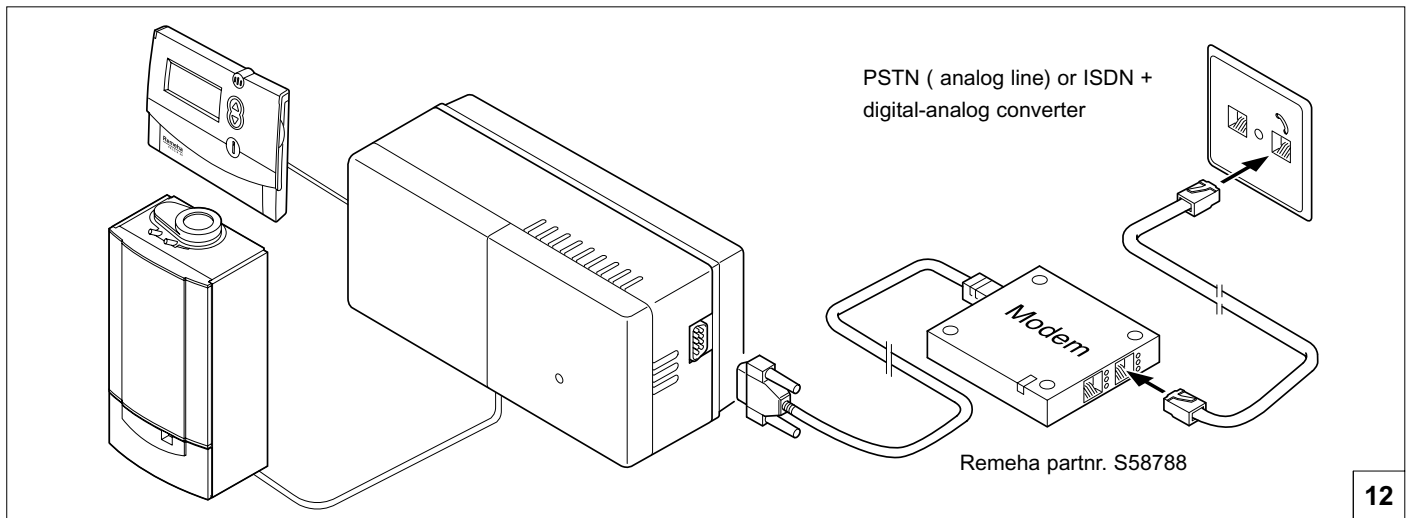


**Connections**

- ST2 and ST3 = OpenTherm to Celcia 20
- ST6 and ST7 = Power supply 230-240V/50-60Hz
- ST11 and ST12 = Heating system waterpressure switch
- ST11 and ST13 = solar system temperature sensor
- ST15 and ST16 = OpenTherm to boiler
- ST18 and ST19 = Flowswitch-interruption relais 8(1)A 250V~

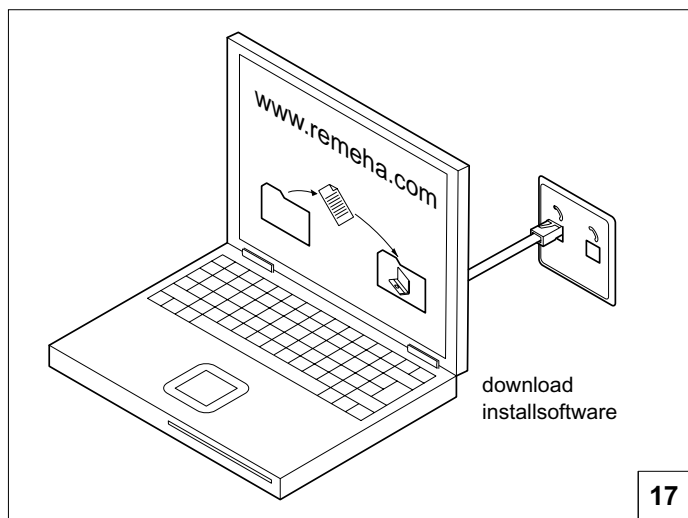


## 2. Connection with a telephone

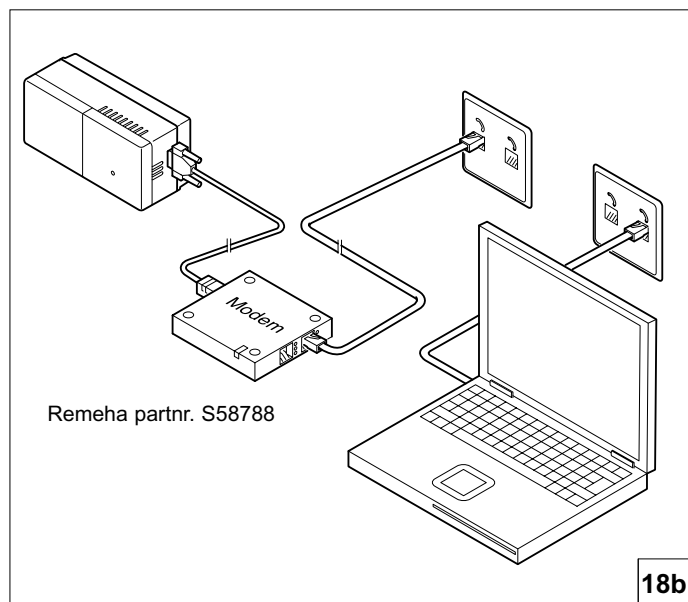
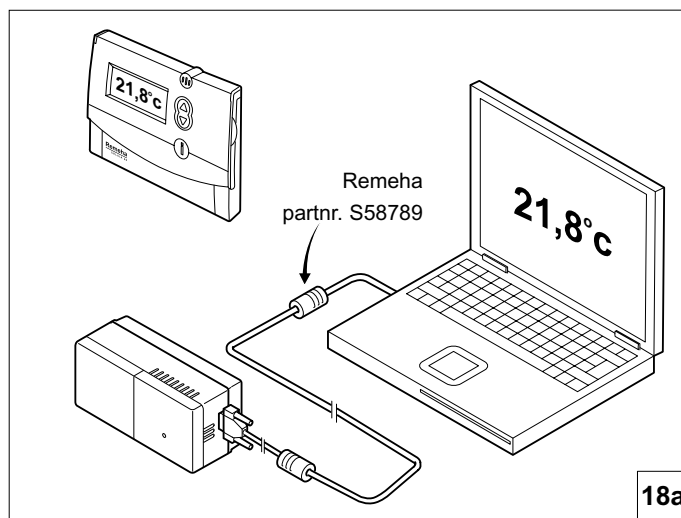


### 3. PC-operation

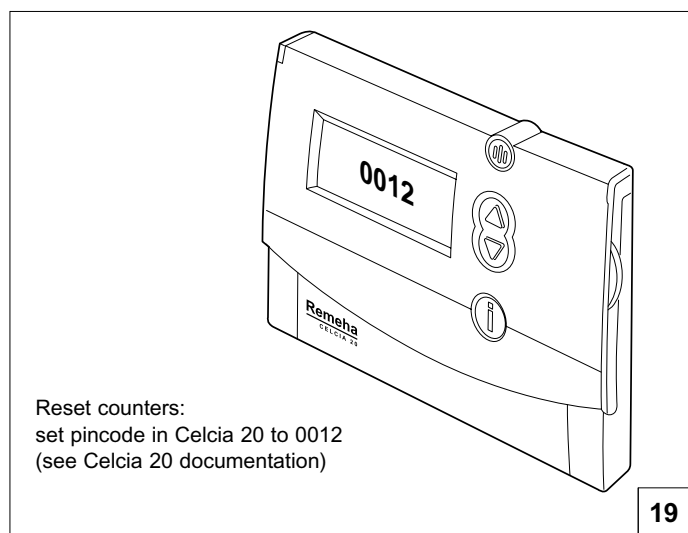
- read-out Celcia 20 settings



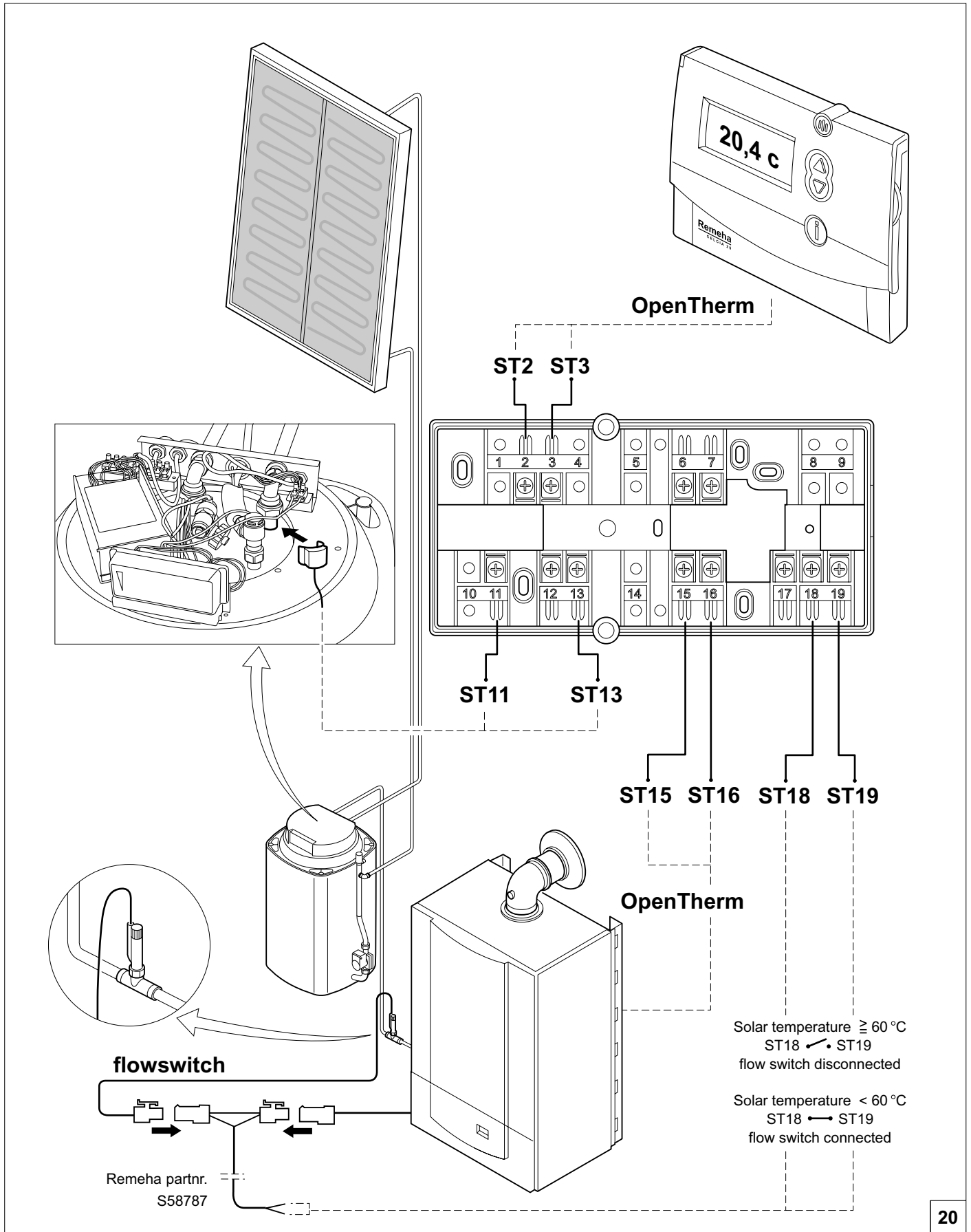
- read/write gateway settings
- actual Celcia 20 / boiler data



### 4. Reset counters Gateway



## 5. Connection to a solar system



- NL Remeha B.V.**  
Postbus 32  
7300 AA APELDOORN  
Netherlands  
Tel: \*31 55 5496969  
Fax: \*31 55 5496496  
nl.remeha.com  
remeha@remeha.com
- GB Broag Ltd.**  
Remeha House  
Molly Millars Lane  
RG41 2QP WOKINGHAM,  
Berks.  
United Kingdom  
Tel: \*44 118 9783434  
Fax: \*44 118 9786977  
uk.remeha.com  
boilers@broag-remeha.com
- F Remeha France S.A.**  
Siège et Services  
Commerciaux:  
ACTIMART II  
1140, Rue André Ampère  
13851 Aix-en-Provence  
Cédex 03  
France  
Tél. 04 42 24 59 70  
Fax 04 42 24 59 79  
fr.remeha.com  
secretariat@remeha.fr
- D Remeha Wärmetechnik GmbH**  
Bischofstrasse 96  
47809 KREFELD  
Germany  
Tel: \*49 2151 5587-0  
Fax: \*49 2151 542445  
de.remeha.com  
remeha@remeha.de
- B J.L. Mampaey BVBA**  
Uitbreidingstraat 54  
2600 ANTWERPEN  
Belgium  
Tel: \*32 3 2307106  
Fax: \*32 3 2301153  
www.mampaey.be  
info@mampaey.be
- B Thema S.A.**  
6, Avenue de l'expansion  
4460 GRACE-HOLLOGNE  
Belgium  
Tel: \*32 4 2469575  
Fax: \*32 4 2469576  
www.thema-sa.be  
info@thema-sa.be
- CH Cipag S.A.**  
Zone Industrielle  
Le Verney  
1070 PUIDOUX-GARE  
Switzerland  
Tel: \*41 21 9266666  
Fax: \*41 21 9266633  
www.cipag.ch  
contact@cipag.ch
- A Heizbösch Walter Bösch K.G.**  
Grüttstrasse 11  
6890 LUSTENAU  
Austria  
Tel: \*43 5577 8131-0  
Fax: \*43 5577 8131250  
www.heizboesch.at  
info@heizboesch.at
- H Marketbau - Remeha Kft.**  
Népfüzdő u.19/E.  
1138 BUDAPEST  
Hungary  
Tel: \*36 1 359 2993  
Fax: \*36 1 359 2591  
remeha@axelero.hu
- H Marketbau - Remeha Kft.**  
Gyár u. 2.  
Ipari Park  
2040 BUDAÖRS  
Hungary  
Tel: +36 23 503 980  
Fax: +36 23 503 981  
remeha@remeha.hu  
www.remeha.hu
- I Paradigma S.r.l.**  
Via Europa, 38  
25070 PONTE CAFFARO BS  
Italy  
Tel: \*39 365 905003  
Fax: \*39 365 905004  
www.paradigmaitalia.it  
info@paradigmaitalia.it
- IRL Euro Gas Ltd.**  
Unit 38, Southern Cross  
Business Park  
Boghall Road, Bray, Co  
WICKLOW  
Ireland  
Tel: \*353 12868244  
Fax: \*353 12861729  
www.eurogas.ie  
sales@eurogas.ie
- E Cuatrocesa S.A.**  
Av. General, 8  
Poligono Industrial  
Paracuellos  
28860 PARACUELLOS DEL  
JARAMA (MADRID)  
Spain  
Tel: +34 91 658 18 88  
Fax: +34 91 658 30 77
- E Termibarna S.A.**  
C. Zamora 55-59  
08005 BARCELONA  
Spain  
Tel: \*34 3 3000204  
Fax: \*34 3 3009558
- E Cuatrocesa S.A.**  
Aragoneses 14  
Poligono Industrial de  
Alcobendas  
28108 ALCOBENDAS  
(Madrid)  
Spain  
Tel: \*34 1 6612786  
Fax: \*34 1 6610023
- E D.A.C. S.A.**  
Tomás A. Edison 29  
Poligono Cogullada  
50014 ZARAGOZA  
Spain  
Tel: \*34 76 464076  
Fax: \*34 76 471311  
www.dac.es  
dac@dac.es
- E Norte Comercial Organización S.A.**  
Puerto Real Bidea 3  
Carretera Asúa Eretxes  
48180 LOIU (Vizcaya)  
Spain  
Tel: \*34 94 4710333  
Fax: \*34 94 4711152
- E Norte Comercial Organización S.A.**  
Bereteage Bidea, 19  
48180 LOIU (Vizcaya)  
Spain  
Tel: +34 94 471 03 33  
Fax: +34 94 471 11 52  
E-mail: nco@nco.es
- BIH Brugman BH d.o.o.**  
Blazujski Drum bb  
71215 BLAZUJ -  
SARAJEVO  
Bosnia and Herzegovina  
Tel: \*38 7 33 623090  
Fax: \*38 7 33 623090  
office@brugman.com.ba
- SE Osby Parca AB**  
P.O. Box 93  
28322 OSBY  
Sweden  
Tel: \*46 479 15300  
Fax: \*46 479 13388  
www.osbyparca.se  
info@osbyparca.se

#### © Copyright

All technical and technological information contained in these technical instructions, as well as any drawings and technical descriptions supplied, remain our property and shall not be multiplied without our prior consent in writing.

Ours is a policy of continuous development. We reserve the right to alter specifications without prior notification.

Subject to alterations.

#### Remeha B.V.

P.O. Box 32  
NL-7300 AA Apeldoorn  
Phone: (055) 549 69 69  
Fax: (055) 549 64 96  
E-mail: remeha@remeha.com  
Internet: <http://www.remeha.com>



58317 - 0104

**OR remeha**